



Special Valves for "Hydro Pneumatic Pumps" and "Air Boosters"

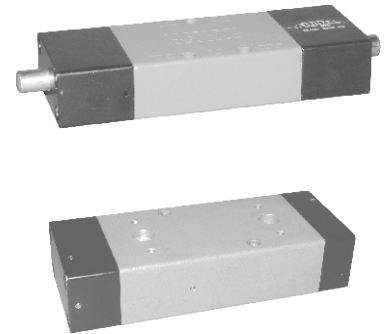


Mechanical Characteristic

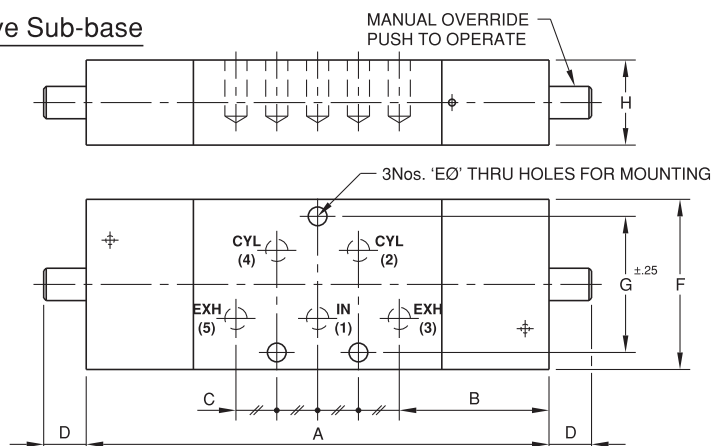
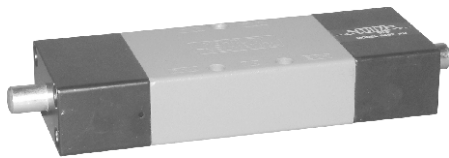
Body	: Aluminium
Orifice	: Refer to technical data
Ports	: Refer to technical data
Seals	: Nitrile Rubber
Design	: Spool type
Weight	: Refer to technical data

Operating Conditions

Media	: Air (filtered 40 μ & lubricated)
Temperature Range	: +5° to +50°C
Pressure Range	: 2 to 10 bar
Leakage	: Bubble Tight
Flow (NLPM) at 5 bar	: Refer to technical data

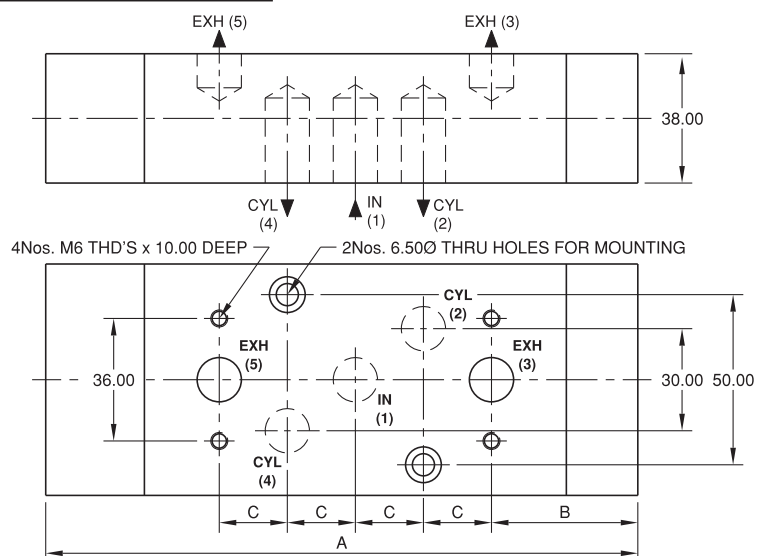
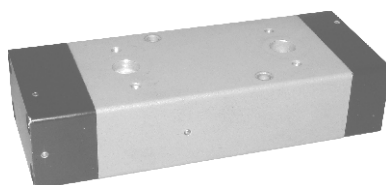


1/4" & 1/2" BSP 5/2 (4 WAY) Pilot - Pilot Spool Valve Sub-base Mounted for Standard Pumps



MODEL No.	DESCRIPTION	SIZE	SYMBOL	ORIFICE (mm)	A	B	C	D	ØE	F	G	H	Flow at 5 bar NLPM	WEIGHT (Kg.)	SEAL KIT No.
S692PU	1/4" 5/2 PILOT-PILOT VALVE FOR PUMP	1/4"		Ø6.50	136.00	44.00	12.00	12.50	5.50	50.00	40.00	25.00	1100	0.43	SKS692PU
S694PU	1/2" 5/2 PILOT-PILOT VALVE FOR PUMP	1/2"		Ø12.50	214.00	67.00	20.00	19.50	6.50	68.00	50.00	38.00	3000	1.30	SKS694PU

1/4", 1/2" & 3/4" BSP 5/2 (4 WAY) Pilot - Air Spring Spool Valve for Dual Head Pumps & Air Boosters



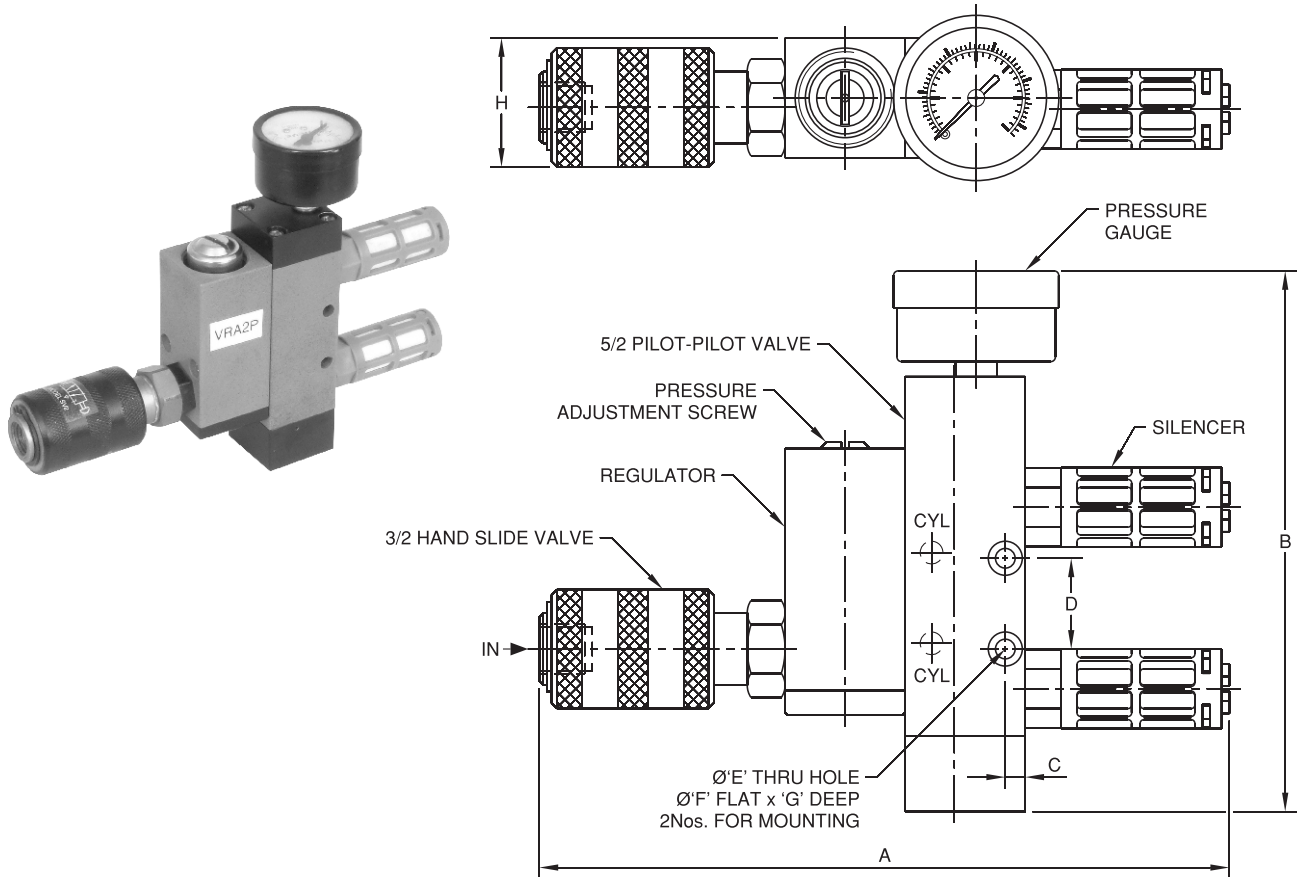
MODEL No.	DESCRIPTION	SIZE	SYMBOL	ORIFICE (mm)	A	B	C	Flow at 5 bar NLPM	WEIGHT (Kg.)	SEAL KIT No.
S684AB	1/2" BSP 5/2 PILOT-AIR SPRING SPOOL VALVE	1/2"		Ø12.50	174.00	43.00	20.00	3000	1.06	SKS684AB
S685AB	3/4" BSP 5/2 PILOT-AIR SPRING SPOOL VALVE	3/4"		Ø20.00	215.00	55.50	25.00	8000	1.26	SKS695AB



Valve - Regulator Assembly for A Series Pump



Model No. VRA2P / VRA4P



MODEL No.	DESCRIPTION	A	B	C	D	ØE	ØF	G	H	WEIGHT (Kg.)	SEAL KIT No.
VRA2P	1/4" VALVE-REGULATOR ASSEMBLY	182.50	143.00	5.25	24.00	5.20	9.00	7.00	34.00	0.59	SKVRA2P
VRA4P	1/2" VALVE-REGULATOR ASSEMBLY	263.00	213.00	6.25	40.00	6.50	10.50	10.00	38.00	1.15	SKVRA4P