



# Manually Actuated Disc Rotary Valves Series R-1/4"



### Mechanical Characteristic

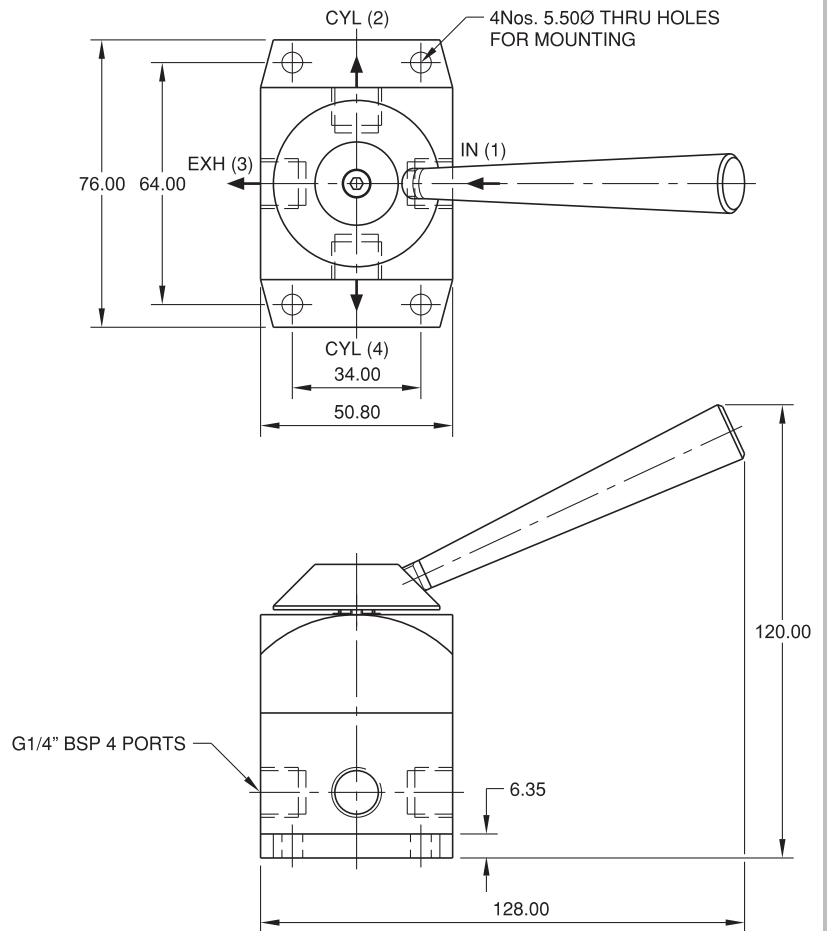
Body	: Aluminium
Orifice	: Ø6.00mm
Ports	: G1/4" BSP Female
Seals	: Nitrile Rubber
Design	: Poppet, Rotary disc
Weight	: Refer to technical data

### Operating Conditions

Media	: Air (filtered 40µ & lubricated)
Temperature Range	: +5° to +50°C
Pressure Range	: 0 to 10 bar
Leakage	: Bubble Tight
Flow (NLPM) at 5 bar	: 1100 Normal litres per min.

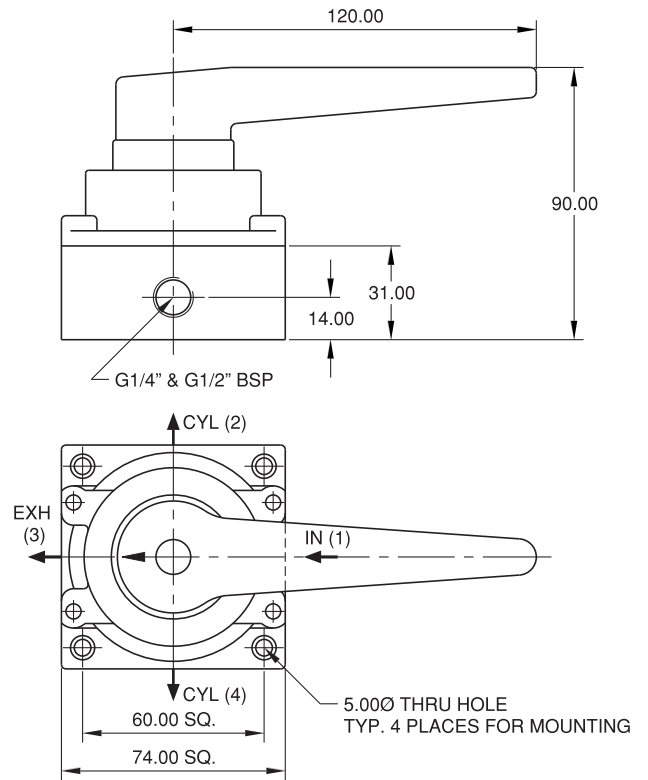


## 1/4" BSP 4/3 Disc Rotary Valve Hand Lever Detent Type, Base Mounting, Side Ports



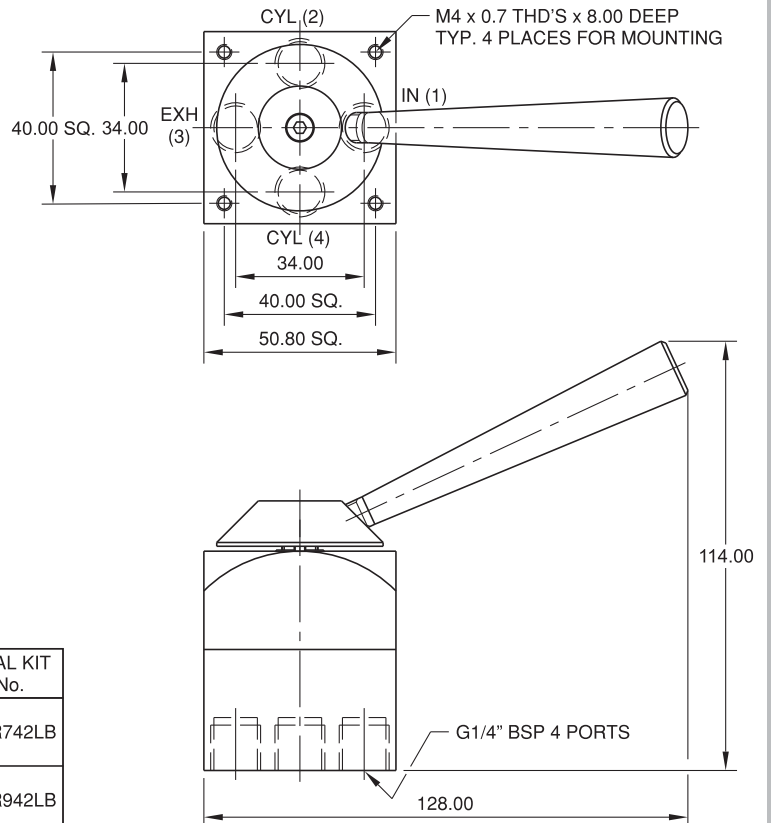
MODEL No.	DESCRIPTION	SYMBOL	WEIGHT (Kg.)	SEAL KIT No.
R742L	1/4" 4/3 PHN, HAND LEVER-DETENT VALVE		0.53	SKR742L
R942L	1/4" 4/3 PRN, HAND LEVER-DETENT VALVE		0.53	SKR942L

1/4" & 1/2" BSP 4/3 Disc Rotary Valve Hand Lever Detent Type



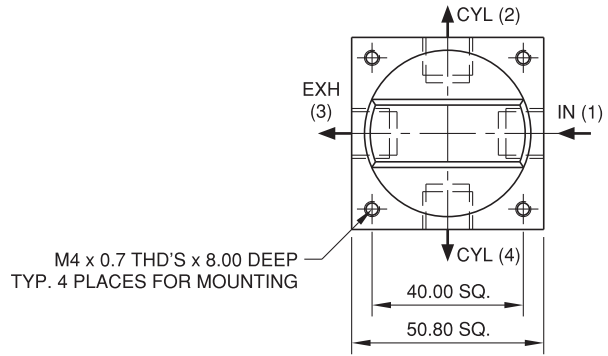
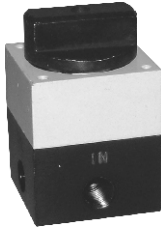
MODEL No.	DESCRIPTION	SYMBOL	WEIGHT (Kg.)	SEAL KIT No.
R742LC	1/4" 4/3 PHN, HAND LEVER-DETENT VALVE		0.56	SKR742LC
R744LC	1/2" 4/3 PHN, HAND LEVER-DETENT VALVE		0.50	SKR744LC

1/4" BSP 4/3 Disc Rotary Valve Hand Lever Detent Type  
For Panel Mounting, Bottom Ports



MODEL No.	DESCRIPTION	SYMBOL	WEIGHT (Kg.)	SEAL KIT No.
R742LB	1/4" 4/3 PHN, HAND LEVER-DETENT VALVE		0.48	SKR742LB
R942LB	1/4" 4/3 PRN, HAND LEVER-DETENT VALVE		0.48	SKR942LB

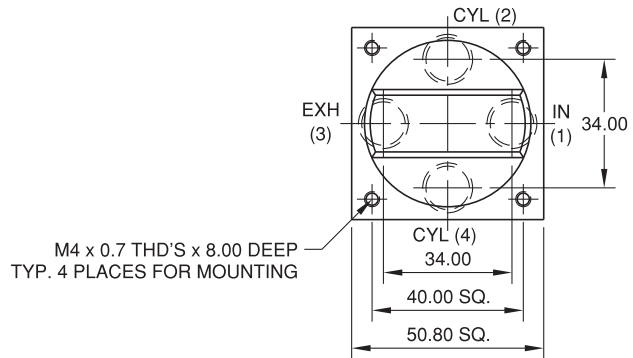
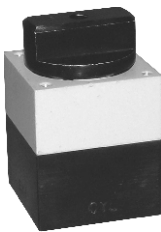
### 1/4" BSP 4/3 Selector Knob-Detent Type For Panel



MODEL No.	DESCRIPTION	SYMBOL	WEIGHT (Kg.)	SEAL KIT No.
R742K	1/4" 4/3 PHN, SELECTOR KNOB-DETENT VALVE		0.41	SKR742K
R942K	1/4" 4/3 PRN, SELECTOR KNOB-DETENT VALVE		0.41	SKR942K

G1/4" BSP 4 PORTS

### 1/4" BSP 4/3 Selector Knob-Detent Type For Panel Mounting Bottom Ports



MODEL No.	DESCRIPTION	SYMBOL	WEIGHT (Kg.)	SEAL KIT No.
R742KB	1/4" 4/3 PHN, SELECTOR KNOB-DETENT VALVE		0.41	SKR742KB
R942KB	1/4" 4/3 PRN, SELECTOR KNOB-DETENT VALVE		0.41	SKR942KB

G1/4" BSP 4 PORTS