



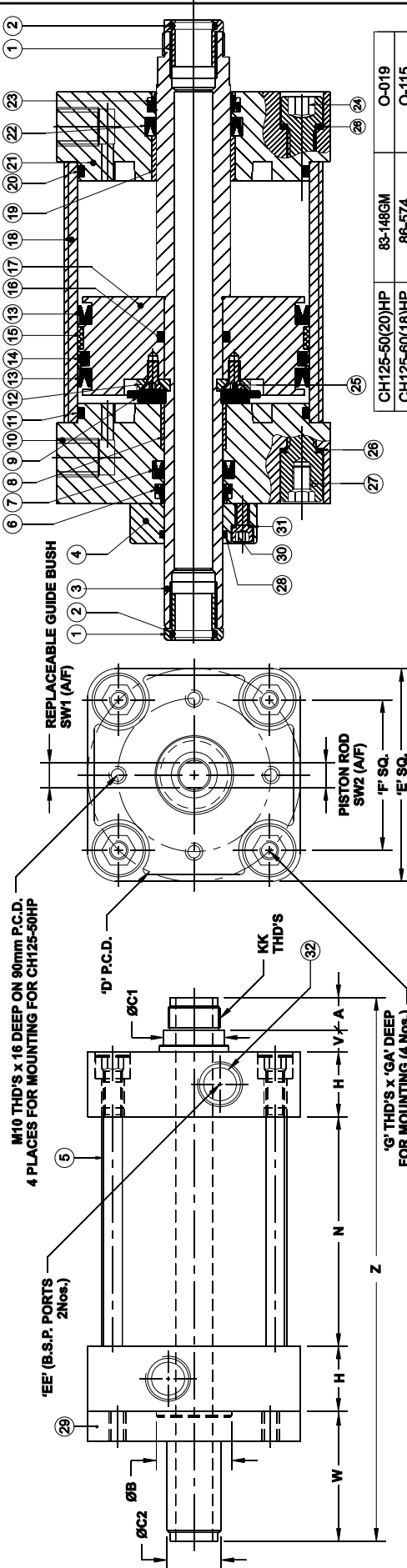
3. SERIES “CH” PNEUMATIC NECK SEALING CYLINDERS



- 3.1** Series “CH” Double Acting, Hollow Through Rod Pneumatic Cylinders have been developed for sealing the neck of the preform. The piston rod has a through hole with replaceable bearing bushes to accommodate different sizes of stretch pins.
- 3.2** Salient features of the Cylinders are :
- (i) Light weight, aluminium alloy barrel, end covers and piston. The barrel is precision honed.
 - (ii) Bronze filled teflon wear strip on the piston and Gun Metal bearing bushes in the end covers, to accommodate eccentric loads on the shaft.
 - (iii) Special profile ‘U’ Cup Seals for low friction and bubble tight sealing.
 - (iv) Mountings as per **ISO 6431** Standards or as per customer specifications.
- 3.3** Refer to **Fig. 8** for mounting dimensions and construction details.
- 3.4** In addition to the cylinders listed in this manual, we are in position to develop special cylinders as per customer specifications.
- 3.5** Please specify Seal Kit No. While ordering spare seals.



Series 'CH' Pneumatic Cylinder for Small Neck Containers : Assembly



| | | |
|----------------|---------------|---------------|
| CH125-50(20)HP | 83-148GM | O-019 |
| CH125-60(16)HP | 86-574 | O-115 |
| CH125-60(16)HP | 86-575 | O-114 |
| CH125-60(14)HP | 86-576 | O-113 |
| CH125-50(16)HP | 86-497 | O-114 |
| CH100-50(16)HP | 86-512 | O-113 |
| CH80-50(14)HP | 86-540 | O-112 |
| CH100-50(14)HP | 86-486 | O-112 |
| CH80-50(12)HP | BOM SR. NO.:1 | BOM SR. NO.:2 |
| CH63-50(12)HP | GUIDE BUSH | 'O' RING |
| CH50-50(12)HP | No. | |

| MODEL No. | PISTON Ø | A | ØB | ØC1 | ØC2 | D (P.C.D.) SQ. | E (B.S.P.) SQ. | EE (B.S.P.) SQ. | F | G | GA | H | KK | N | SW1 G.B. | SW2 P.R. | V | W | Z |
|----------------|----------|----|----|------|-----|----------------|----------------|-----------------|------|----|----|----|---------|-------|----------|----------|----|------|-------|
| CH125-50(16)HP | 125 | 25 | 78 | 50.8 | 35 | 154.15 | 144 | 1/2" | 109 | - | - | 36 | M40x2.0 | 124 | 32 | 45 | 10 | 83 | 311 |
| CH125-50(20)HP | 125 | 11 | 48 | 32 | 25 | 154.15 | 144 | 1/4" | 109 | - | - | 30 | M30x2.0 | 114 | 22 | 28 | 16 | 59 | 260 |
| CH125-50(16)HP | 125 | 16 | 48 | 32 | 25 | 154.15 | 144 | 1/4" | 109 | - | - | 30 | M27x2.0 | 114 | 22 | 28 | 16 | 64 | 270 |
| CH100-50(12)HP | 100 | 16 | 48 | 32 | 25 | 131.95 | 118 | 1/4" | 93.3 | M8 | 15 | 30 | M27x2.0 | 112.8 | 22 | 28 | 15 | 63.7 | 267.5 |
| CH80-50(12)HP | 80 | 16 | 48 | 32 | 25 | 99.98 | 98 | 1/4" | 70.7 | M8 | 15 | 30 | M27x2.0 | 112.8 | 22 | 28 | 15 | 63.7 | 267.5 |
| CH63-50(12)HP | 63 | 16 | 40 | 25 | 20 | 79.90 | 76 | 1/4" | 56.5 | M6 | 17 | 30 | M24x1.5 | 106 | 19 | 22 | 15 | 64 | 261 |
| CH50-50(12)HP | 50 | 16 | 40 | 25 | 20 | 67.88 | 65 | 1/4" | 48 | M6 | 17 | 30 | M24x1.5 | 106 | 19 | 22 | 15 | 64 | 261 |

FIG. 8

| SR. NO. | DESCRIPTION | QTY. | CH50-50 (12)HP | CH63-50 (12)HP | CH80-50(14)HP | CH100-50(12)HP | CH125-50(12)HP | CH125-50(14)HP | CH125-60(14)HP | CH125-60(16)HP | CH125-60(16)HP | CH125-50(20)HP |
|---------|----------------|------|----------------|----------------|---------------|----------------|----------------|----------------|----------------|----------------|----------------|----------------|
| 18 | BARREL | 1 | 65-012 | 65-010 | 65-009 | 65-011 | 65-015-52 | 65-015-52 | 81-113 | 81-114 | 81-113 | 81-113 |
| 17 | PISTON | 1 | 81-112 | 64-080 | 81-110 | 64-089 | 81-113 | 81-113 | O-214 | O-220 | O-214 | O-214 |
| 16 | 'O' RING | * | O-210 | O-210 | O-214 | O-214 | O-214 | O-214 | 68-203 | 68-203 | 68-203 | 68-203 |
| 15 | WEAR STRIP | * | 68-260 | 68-261 | 68-262 | 68-263 | 68-263 | 68-203 | O-349 | O-349 | O-349 | O-349 |
| 14 | 'U' RING | * | O-224 | O-227 | O-335 | O-339 | O-349 | O-349 | U-076X | U-076X | U-076X | U-076X |
| 13 | 'U' SEAL | 2 | U-062X | U-061X | U-069X | U-060X | U-076X | U-076X | 86-489 | 86-489 | 86-489 | 86-489 |
| 12 | PISTON COVER | 1 | 86-489 | 86-356 | 86-425 | 86-425 | 86-489 | 86-489 | O-346 | O-346 | O-346 | O-346 |
| 11 | 'O' RING | * | O-132 | O-228N | O-233 | O-238 | O-346 | O-346 | 80-340 | 80-340 | 80-340 | 80-340 |
| 10 | REAR END COVER | 1 | 80-328 | 83-145 | 80-323 | 83-147 | 80-351 | 80-340 | 80-340 | 80-340 | 80-340 | 80-340 |
| 9 | BUFFER | 1 | - | - | 13-023N | 13-023N | - | - | - | - | - | - |
| 8 | SINT BUSH | 1 | 44-0503 | 44-0503 | 44-0504 | 44-0504 | 44-0504 | 44-0504 | 44-0504 | 44-0504 | 44-0504 | 44-0504 |
| 7 | ROD WIPER SEAL | * | U-065X | U-065X | U-065X | U-065X | U-065X | U-065X | U-065X | U-065X | U-065X | U-065X |
| 6 | ROD WIPER SEAL | * | U-082X | U-082X | U-082X | U-082X | U-082X | U-082X | U-082X | U-082X | U-082X | U-082X |
| 5 | TIE ROD | 4 | - | - | - | - | 67-011 | 67-011 | 67-011 | 67-011 | 67-011 | 67-011 |
| 4 | BACKUP COVER | 1 | - | - | - | - | 80-338 | 80-338 | 80-338 | 80-338 | 80-338 | 80-338 |
| 3 | PISTON ROD | 1 | 83-144 | 83-144 | 83-147 | 83-147 | 83-148 | 83-148 | 83-148 | 83-148 | 83-148 | 83-148 |
| 2 | 'O' RING | 2 | - | - | - | - | - | - | - | - | - | - |
| 1 | GUIDE BUSH | 2 | - | - | - | - | - | - | - | - | - | - |