



Air Filter, Regulator & Lubricator



Series 'S'- 1/4" BSP



Series 'M'- 1/2" BSP



Series 'M'- 3/4" & 1" BSP

- Streamlined modular construction
- Easy to dismantle & service
- Leak proof 'O' Ring joints between units
- 40 μ m filter as standard, 5 μ m optional
- Regulator knob "Push to Lock" design
- Low rate spring and fine pitch threads ensures fine and smooth regulation of air pressure.
- Semi Automatic drain on filter bowl
- Fine pitch, small taper fine adjustment screw on lubricator ensures good control over oil flow setting.

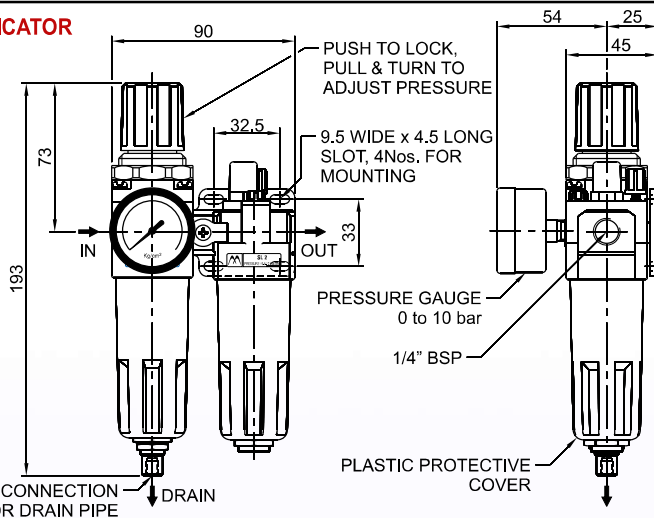
Mercury Pneumatics Pvt. Ltd.

C-105, Ansa Industrial Estate, Saki Vihar Rd, Andheri (E), Mumbai - 400072. India.
Ph.: +91-22-40344200

E-mail: mercurypneumatics@vsnl.net Website: www.mercuryindia.net

Series 'S' 1/4" FRL

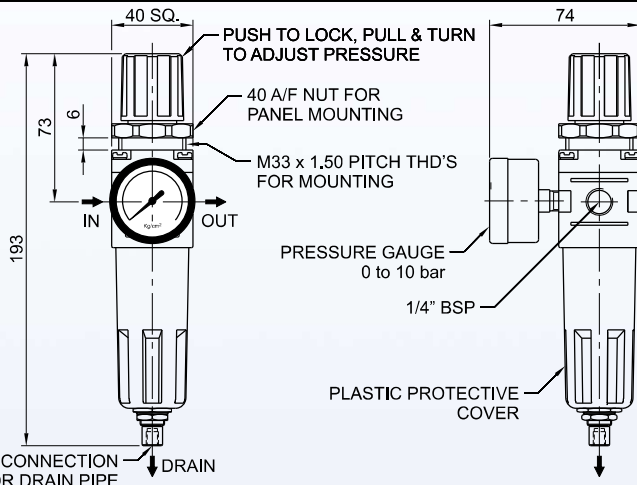
FILTER REGULATOR + LUBRICATOR



MODEL :- SFR+L 02

Port	1/4" BSP
Pressure Range	0.5 ~ 10 kgf/sq.cm
Temperature	+5° to 50° C
Filtering Density	25 μ m
Fluid	Air
Max. Flow Rate	1200 lit/min. (NLPM)
Recommended Oil	ISO-VG32
Pressure Gauge Port	1/8" BSP
Bowl Material	Polycarbonate
Protective Cover	Plastic
Weight	0.56 kg.

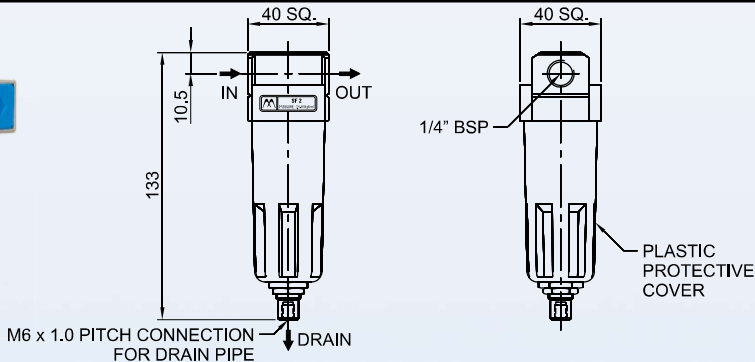
FILTER REGULATOR



MODEL :- SFR 02

Port	1/4" BSP
Pressure Range	0.5 ~ 10 kgf/sq.cm
Temperature	+5° to 50° C
Filtering Density	25 μ m
Fluid	Air
Max. Flow Rate	1200 lit/min. (NLPM)
Pressure Gauge Port	1/8" BSP
Bowl Material	Polycarbonate
Protective Cover	Plastic
Weight	0.35 kg.

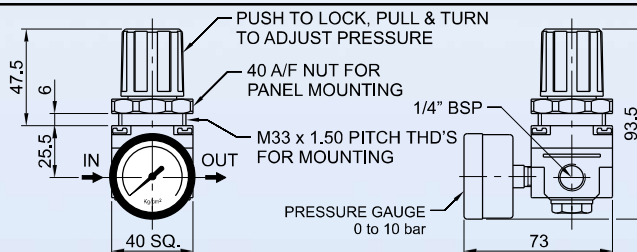
FILTER



MODEL :- SF 02

Port	1/4" BSP
Pressure Range	0.5 ~ 10 kgf/sq.cm
Temperature	+5° to 50° C
Filtering Density	25 μ m
Fluid	Air
Max. Flow Rate	1200 lit/min. (NLPM)
Bowl Material	Polycarbonate
Protective Cover	Plastic
Weight	0.17 kg.

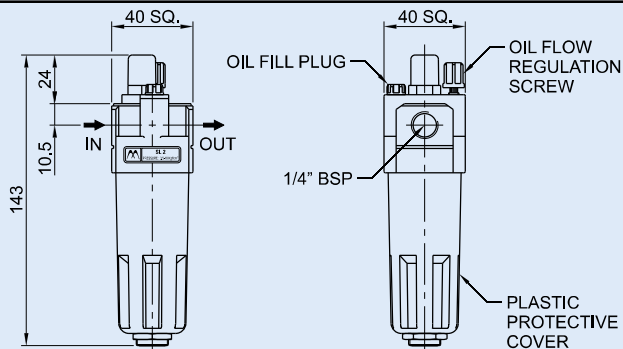
REGULATOR



MODEL :- SR 02

Port	1/4" BSP
Pressure Range	0.5 ~ 10 kgf/sq.cm
Temperature	+5° to 50° C
Fluid	Air
Pressure Gauge Port	1/8" BSP
Max. Flow Rate	1200 lit/min. (NLPM)
Weight	0.23 kg.

LUBRICATOR

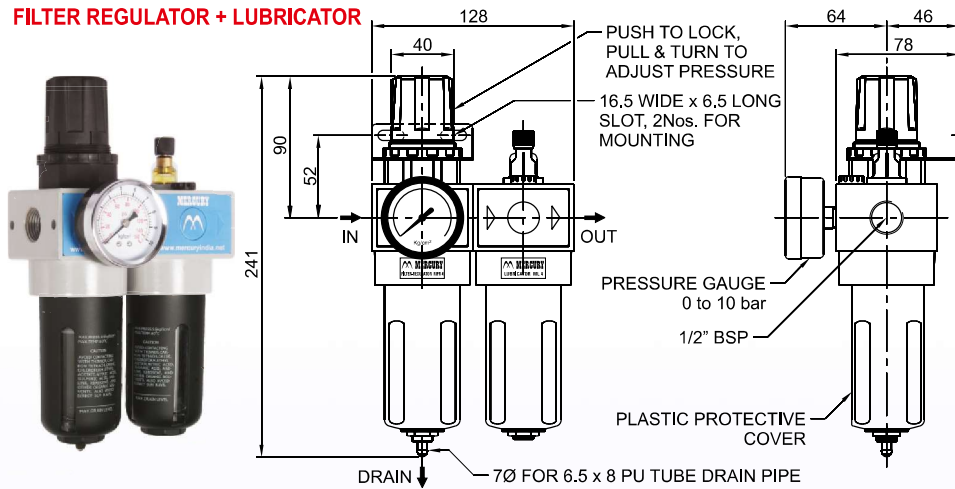


MODEL :- SL 02

Port	1/4" BSP
Pressure Range	0.5 ~ 10 kgf/sq.cm
Temperature	+5° to 50° C
Fluid	Air
Lubricant	ISO-VG32
Max. Flow Rate	1200 lit/min. (NLPM)
Min. Oil Drop Flow	15 lit/min.
Bowl Material	Polycarbonate
Protective Cover	Plastic
Weight	0.16 kg.

Series 'M' 1/2" FRL

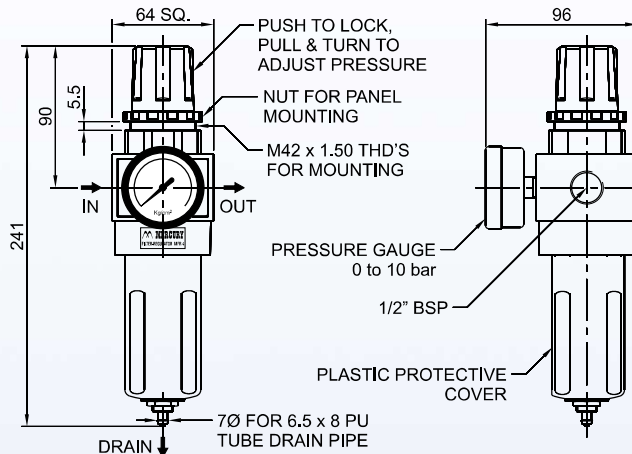
FILTER REGULATOR + LUBRICATOR



MODEL :- MFR+L 04

Port	1/2" BSP
Pressure Range	0.5 ~ 10 kgf/sq.cm
Temperature	+5 to 60° C
Filtering Density	40 μ m
Fluid	Air
Max. Flow Rate	2100 lit/min.(NLPM)
Recommended Oil	ISO-VG32
Pressure Gauge Port	1/4" BSP
Bowl Material	Polycarbonate
Protective Cover	Plastic
Weight	1.20 kg.

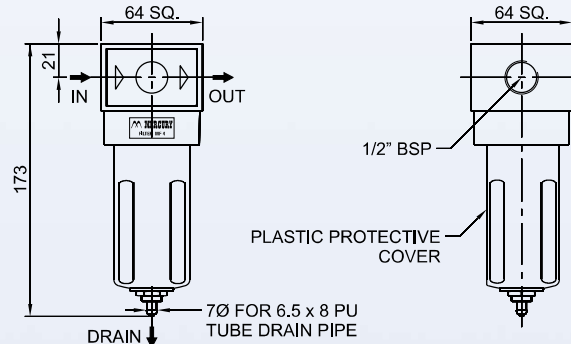
FILTER REGULATOR



MODEL :- MFR 04

Port	1/2" BSP
Pressure Range	0.5 ~ 10 kgf/sq.cm
Temperature	+5 to 60° C
Filtering Density	40 μ m
Fluid	Air
Max. Flow Rate	2100 lit/min.(NLPM)
Pressure Gauge Port	1/4" BSP
Bowl Material	Polycarbonate
Protective Cover	Plastic
Weight	0.70 kg.

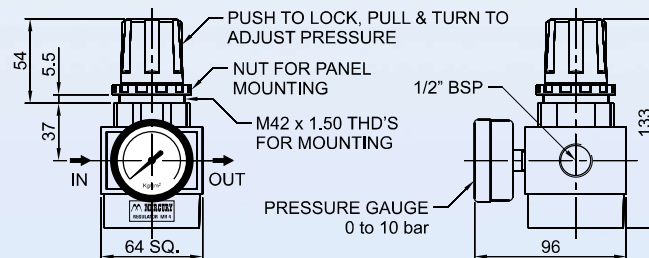
FILTER



MODEL :- MF 04

Port	1/2" BSP
Pressure Range	0.5 ~ 10 kgf/sq.cm
Temperature	+5 to 60° C
Filtering Density	40 μ m
Fluid	Air
Max. Flow Rate	2100 lit/min.(NLPM)
Bowl Material	Polycarbonate
Protective Cover	Plastic
Weight	0.45 kg.

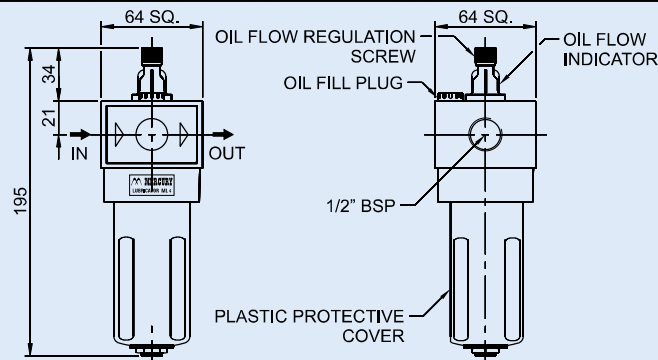
REGULATOR



MODEL :- MR 04

Port	1/2" BSP
Pressure Range	0.5 ~ 10 kgf/sq.cm
Temperature	+5 to 60° C
Fluid	Air
Pressure Gauge Port	1/4" BSP
Max. Flow Rate	2100 lit/min.(NLPM)
Weight	0.62 kg.

LUBRICATOR

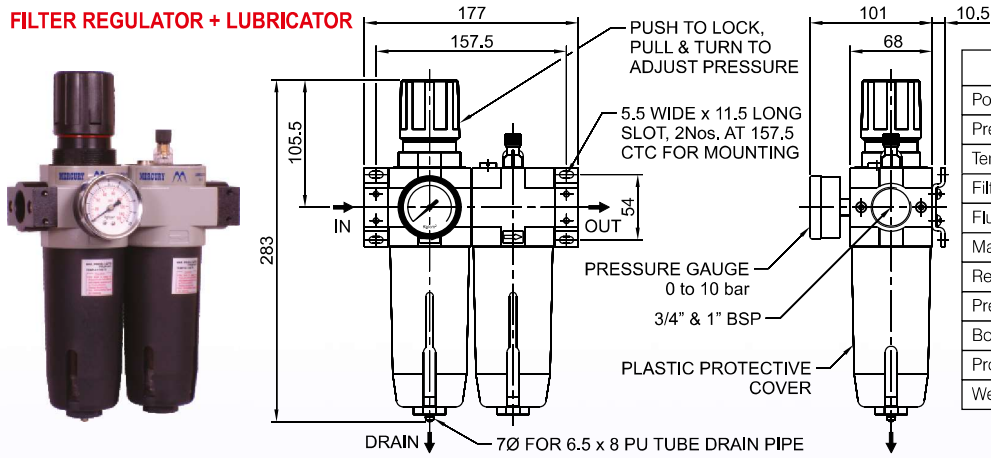


MODEL :- ML 04

Port	1/2" BSP
Pressure Range	0.5 ~ 10 kgf/sq.cm
Temperature	+5 to 60° C
Fluid	Air
Lubricant	ISO-VG32
Max. Flow Rate	2100 lit/min.(NLPM)
Min. Oil Drop Flow	15 lit/min.
Bowl Material	Polycarbonate
Protective Cover	Plastic
Weight	0.45 kg.

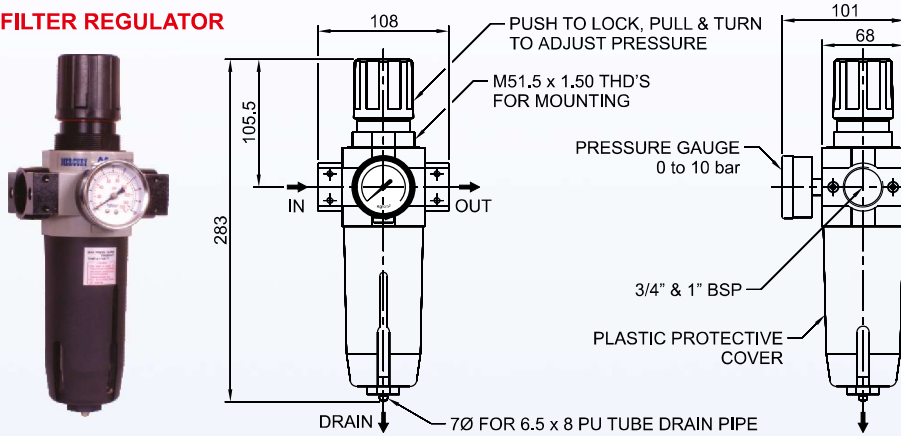
Series 'M' 3/4" & 1" FRL

FILTER REGULATOR + LUBRICATOR



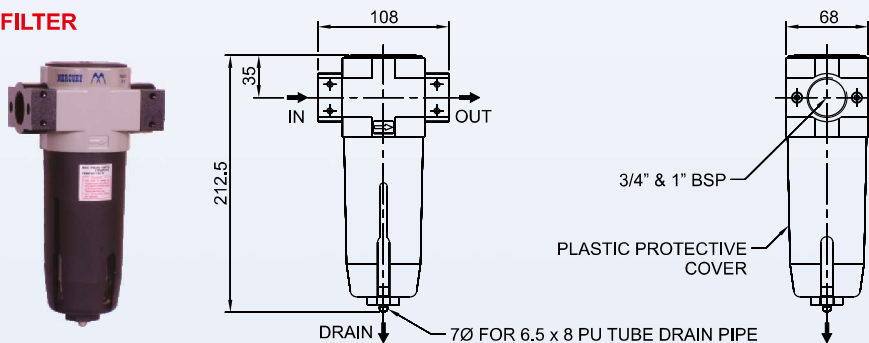
MODEL	MFR+L 06	MFR+L 08
Port	3/4" BSP	1" BSP
Pressure Range	0.5 ~ 10 kgf/sq.cm	
Temperature	+5 to 60° C	
Filtering Density	5 μm	
Fluid	Air	
Max. Flow Rate	8000 lit/min.(NLPM)	
Recommended Oil	ISO-VG32	
Pressure Gauge Port	1/4" BSP	
Bowl Material	Polycarbonate	
Protective Cover	Plastic	
Weight	1.98 kg.	1.95 kg.

FILTER REGULATOR



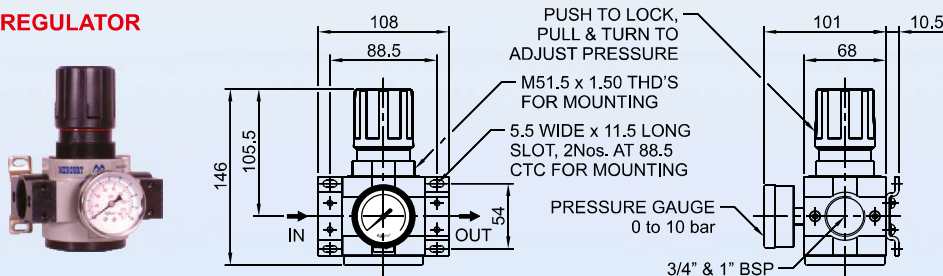
MODEL	MFR 06	MFR 08
Port	3/4" BSP	1" BSP
Pressure Range	0.5 ~ 10 kgf/sq.cm	
Temperature	+5 to 60° C	
Filtering Density	5 μm	
Fluid	Air	
Max. Flow Rate	8000 lit/min.(NLPM)	
Pressure Gauge Port	1/4" BSP	
Bowl Material	Polycarbonate	
Protective Cover	Plastic	
Weight	1.30 kg.	1.27 kg.

FILTER



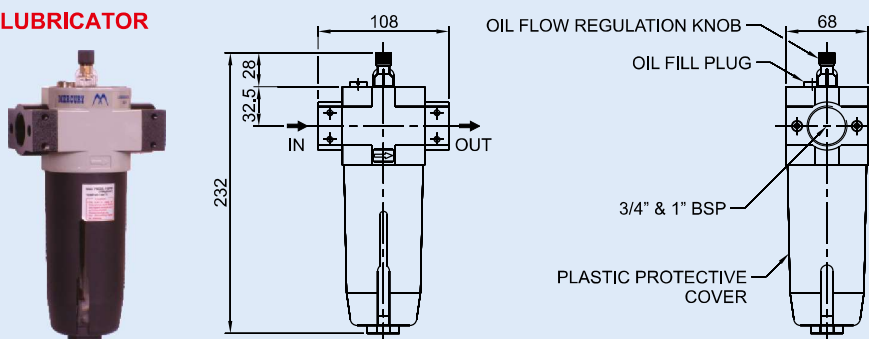
MODEL	MF 06	MF 08
Port	3/4" BSP	1" BSP
Pressure Range	0.5 ~ 10 kgf/sq.cm	
Temperature	+5 to 60° C	
Filtering Density	5 μm	
Fluid	Air	
Max. Flow Rate	8000 lit/min.(NLPM)	
Bowl Material	Polycarbonate	
Protective Cover	Plastic	
Weight	0.80 kg.	0.78 kg.

REGULATOR



MODEL	MR 06	MR 08
Port	3/4" BSP	1" BSP
Pressure Range	0.5 ~ 10 kgf/sq.cm	
Temperature	+5 to 60° C	
Fluid	Air	
Pressure Gauge Port	1/4" BSP	
Max. Flow Rate	8000 lit/min.(NLPM)	
Weight	1.05 kg.	1.03 kg.

LUBRICATOR



MODEL	ML 06	ML 08
Port	3/4" BSP	1" BSP
Pressure Range	0.5 ~ 10 kgf/sq.cm	
Temperature	+5 to 60° C	
Fluid	Air	
Lubricant	ISO-VG32	
Max. Flow Rate	8000 lit/min.(NLPM)	
Min. Oil Drop Flow	15 lit/min.	
Bowl Material	Polycarbonate	
Protective Cover	Plastic	
Weight	0.84 kg.	0.82 kg.