



Poppet Type Solenoid Valves Series NP

Series "NP" 3/2 Normally Closed and Normally Open Solenoid Valves



Mechanical Characteristic

Body	: Aluminium
Orifice	: Refer to technical data
Ports	: Refer to technical data
Seals	: Nitrile Rubber
Design	: Poppet type, internal pilot operated ; external pilot on request
Weight	: Refer to technical data

Operating Conditions

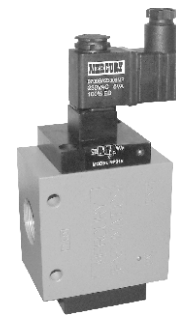
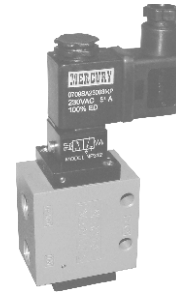
Media	: Air (filtered 40 μ & lubricated)
Temperature Range	: +5° to +50°C
Pressure Range	: 2.5 to 10 bar
Leakage	: Bubble Tight
Flow (NLPM) at 5 bar	: Refer to technical data

Electrical Conditions

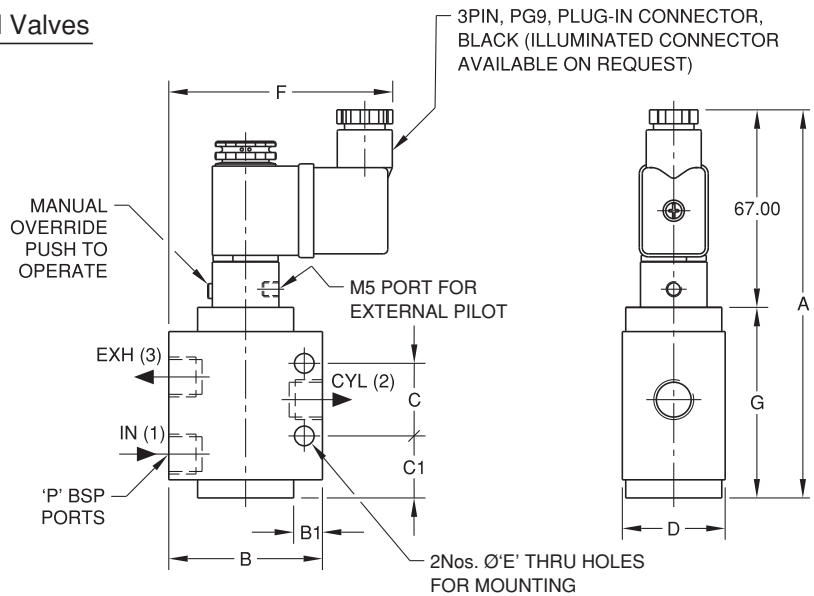
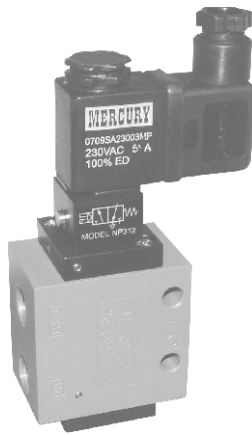
Coil Voltage	: 12 & 24 VDC; 24, 48, 110 & 230 VAC / 50 Hz \pm 10%
Power	: DC - 3 W; AC - 5 VA Hold, 7.5 VA Pickup
Duty Cycle	: Continuous
Response Time	: 10 msec ON / 15 msec OFF
Protection	: IP 65 (as per DIN 40 050)
Connector	: Black (illuminated on request)

* While ordering specify Coil voltage & type of connector. Add voltage & connector suffix as below to model no.

Connector	230VAC	24VAC	12VAC	24VDC	12VDC	110VAC	48VAC
BLACK	A	B	C	D	E	F	G
ILLUMINATED	L	M	N	P	Q	R	S



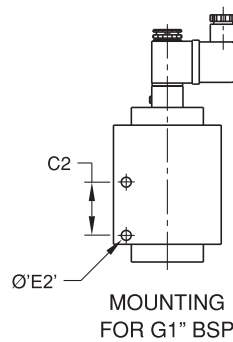
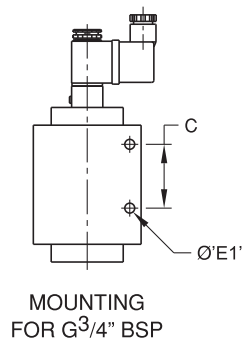
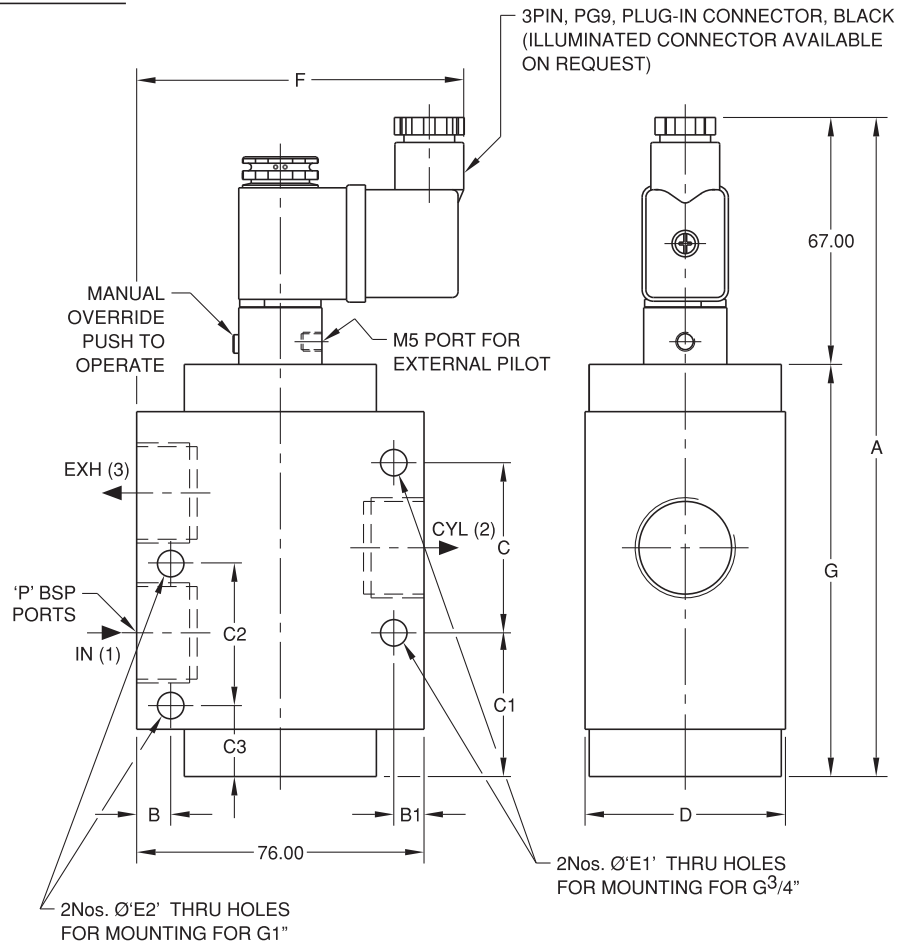
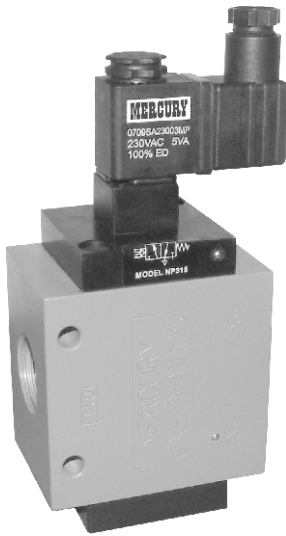
1/4" & 1/2" BSP 3/2 Poppet Type Solenoid Valves



MODEL No.	SIZE 'P' (BSP)	DESCRIPTION	SYMBOL	ORIFICE (mm)	A	B	B1	C	C1	D	\varnothing E	F	G	Flow at 5 bar NLPM	WEIGHT (Kg.)	SEAL KIT No.
NP312*	1/4"	NORMALLY CLOSED		\varnothing 7.00	130.00	50.80	6.00	24.00	20.50	34.00	6.50	74.00	63.00	1300	0.34	SKNP312
NP314*	1/2"			\varnothing 13.00	166.20	76.00	8.00	40.00	30.70	44.00	6.50	86.50	99.20	3600	0.82	SKNP314
NP412*	1/4"	NORMALLY OPEN		\varnothing 7.00	130.00	50.80	6.00	24.00	17.00	34.00	6.50	74.00	63.00	1300	0.34	SKNP412
NP414*	1/2"			\varnothing 13.00	166.20	76.00	8.00	40.00	24.70	44.00	6.50	86.50	99.20	3600	0.78	SKNP414
NP312E*	1/4"	N.C. WITH EXTERNAL PILOT		\varnothing 7.00	130.00	50.80	6.00	24.00	20.50	34.00	6.50	74.00	63.00	1300	0.34	SKNP312E
NP314E*	1/2"			\varnothing 13.00	166.20	76.00	8.00	40.00	30.70	44.00	6.50	86.50	99.20	3600	0.82	SKNP314E
NP412E*	1/4"	N.O. WITH EXTERNAL PILOT		\varnothing 7.00	130.00	50.80	6.00	24.00	17.00	34.00	6.50	74.00	63.00	1300	0.34	SKNP412E
NP414E*	1/2"			\varnothing 13.00	166.20	76.00	8.00	40.00	24.70	44.00	6.50	86.50	99.20	3600	0.78	SKNP414E

* ADD VOLTAGE & CONNECTOR SUFFIX WHILE ORDERING

3/4" & 1" BSP 3/2 Poppet Type Solenoid Valves



MODEL No.	SIZE 'P' (BSP)	DESCRIPTION	SYMBOL	ORIFICE (mm)	A	B	B1	C	C1	C2	C3	D	ØE1	ØE2	F	G	Flow at 5 bar NLPM	WEIGHT (Kg.)	SEAL KIT No.
NP315 *	3/4"	NORMALLY CLOSED		Ø20.00	166.00	-	8.00	45.00	28.00	-	-	53.00	7.00	-	74.00	63.00	8000	0.92	SKNP315
NP316 *	1"	NORMALLY CLOSED		Ø24.50	199.00	10.00	-	-	-	51.00	22.50	60.00	-	7.00	86.50	99.20	1300	1.44	SKNP316
NP415 *	3/4"	NORMALLY OPEN		Ø20.00	166.00	-	8.00	45.00	31.00	-	-	53.00	7.00	-	74.00	63.00	8000	0.87	SKNP415
NP315E *	3/4"	N.C. WITH EXTERNAL PILOT		Ø20.00	166.00	-	8.00	45.00	28.00	-	-	53.00	7.00	-	74.00	63.00	8000	0.92	SKNP315E
NP316E *	1"	N.C. WITH EXTERNAL PILOT		Ø24.50	199.00	10.00	-	-	-	51.00	22.50	60.00	-	7.00	86.50	99.20	1300	1.44	SKNP316E
NP415E *	3/4"	N.O. WITH EXTERNAL PILOT		Ø20.00	166.00	-	8.00	45.00	31.00	-	-	53.00	7.00	-	74.00	63.00	8000	0.87	SKNP415E

* ADD VOLTAGE & CONNECTOR SUFFIX WHILE ORDERING

SPECIAL NOTE ON POPPET TYPE VALVES

- 1) These valves are sensitive to exhaust back pressure.
- 2) The exhaust should not be throttled by fitting any flow control device.
- 3) A silencer can be fitted on the exhaust port. However the silencer should be cleaned periodically as it can get choked with oil, water and pipeline debris.



Poppet Type Solenoid Valves Series NP

Series "NP" 5/2 Solenoid-Spring Poppet Valves



Mechanical Characteristic

Body	: Aluminium
Orifice	: Refer to technical data
Ports	: Refer to technical data
Seals	: Nitrile Rubber
Design	: Poppet type, internal pilot operated ; external pilot on request
Weight	: Refer to technical data

Operating Conditions

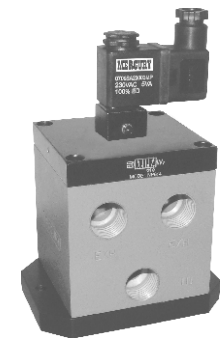
Media	: Air (filtered 40 μ & lubricated)
Temperature Range	: +5° to +50°C
Pressure Range	: 2.5 to 10 bar
Leakage	: Bubble Tight
Flow (NLPM) at 5 bar	: Refer to technical data

Electrical Conditions

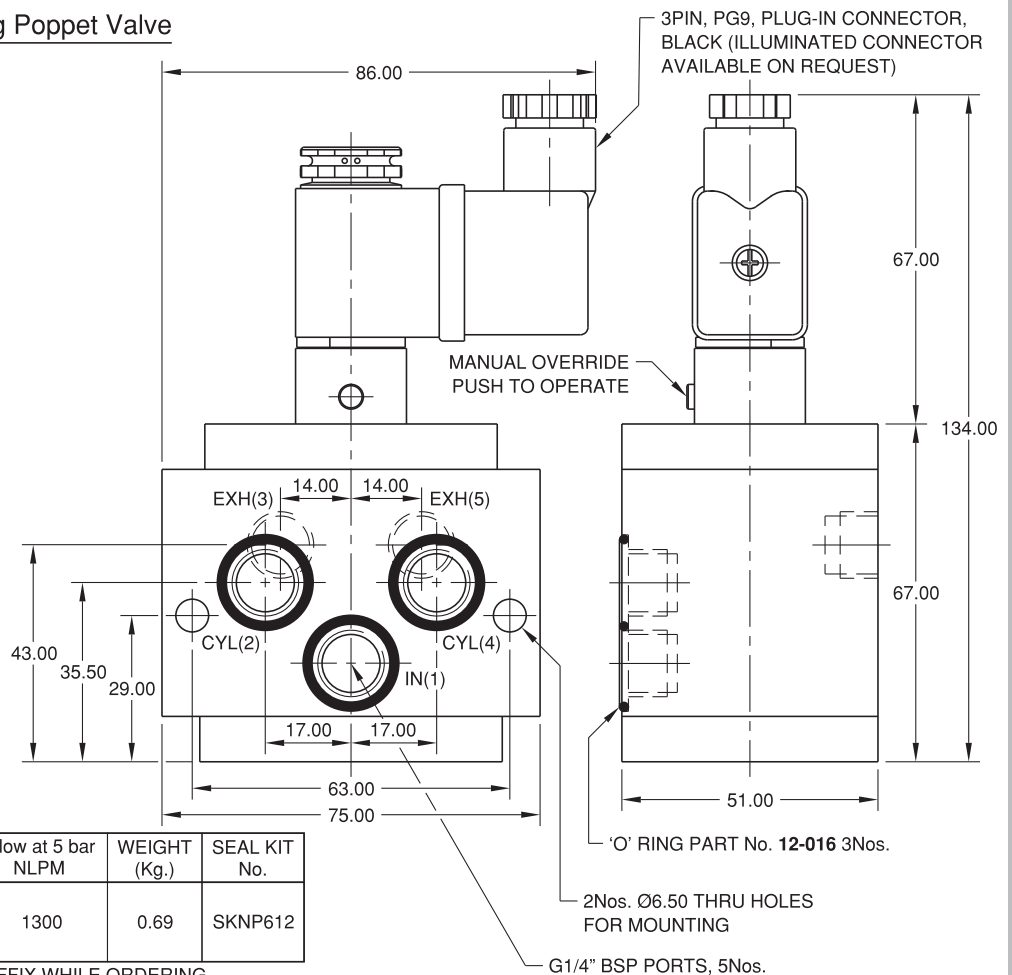
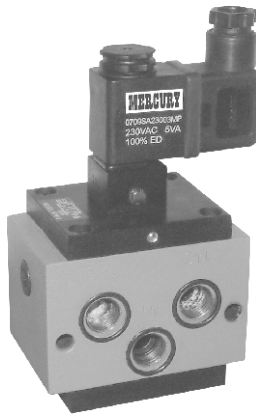
Coil Voltage	: 12 & 24 VDC; 24, 48, 110 & 230 VAC / 50 Hz \pm 10%
Power	: DC - 3 W; AC - 5 VA Hold, 7.5 VA Pickup
Duty Cycle	: Continuous
Response Time	: 10 msec ON / 15 msec OFF
Protection	: IP 65 (as per DIN 40 050)
Connector	: Black (illuminated on request)

* While ordering specify Coil voltage & type of connector. Add voltage & connector suffix as below to model no.

Connector	230VAC	24VAC	12VAC	24VDC	12VDC	110VAC	48VAC
BLACK	A	B	C	D	E	F	G
ILLUMINATED	L	M	N	P	Q	R	S



1/4" BSP 5/2 Solenoid-Spring Poppet Valve

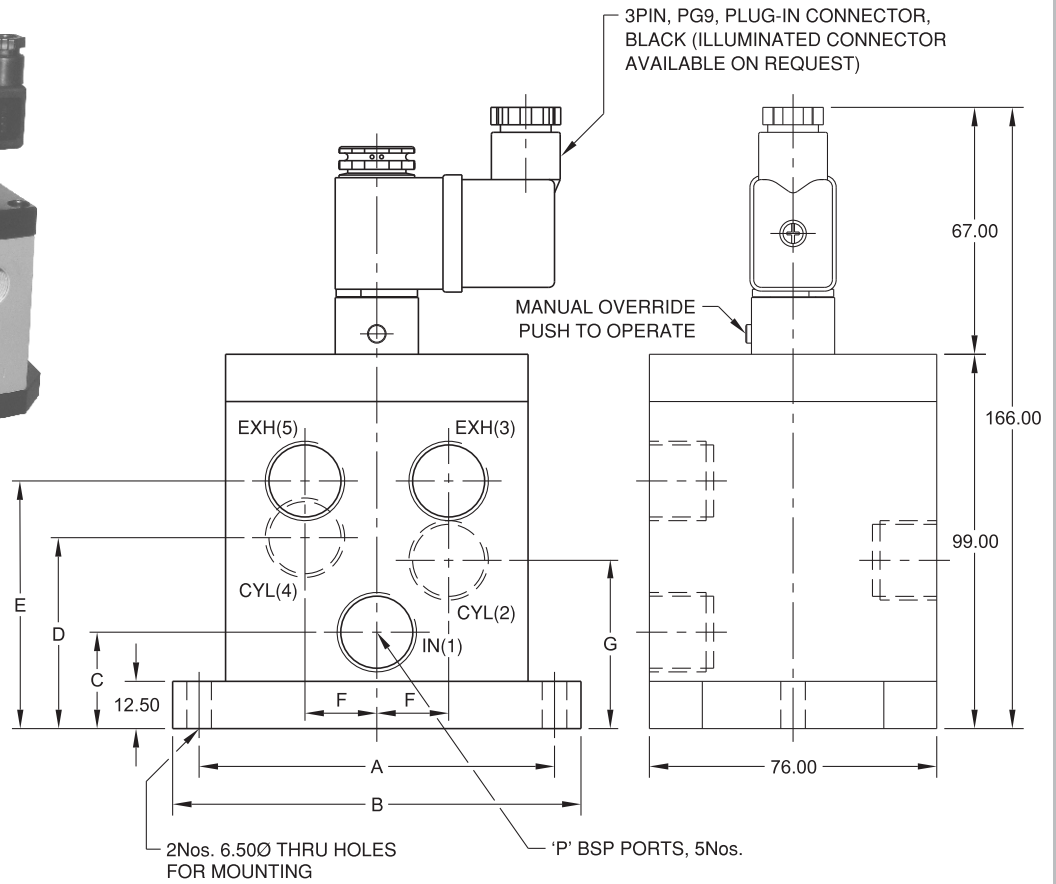
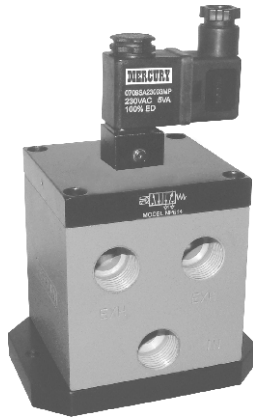


MODEL No.	ORIFICE (mm)	SYMBOL	Flow at 5 bar NLPM	WEIGHT (Kg.)	SEAL KIT No.
NP612 *	Ø7.00		1300	0.69	SKNP612

* ADD VOLTAGE & CONNECTOR SUFFIX WHILE ORDERING

G1/4" BSP PORTS, 5Nos.

1/2" & 3/4" BSP 5/2 Solenoid-Spring Poppet Valve



MODEL No.	SIZE 'P' (BSP)	SYMBOL	ORIFICE (mm)	A	B	C	D	E	F	G	Flow at 5 bar NLPM	WEIGHT (Kg.)	SEAL KIT No.
NP614 *	1/2"		Ø13.00	94.00	108.00	25.50	50.50	65.50	19.00	44.50	3600	1.54	SKNP614
NP615 *	3/4"		Ø20.00	116.00	130.00	28.50	50.50	69.00	25.00	53.50	8000	1.83	SKNP615

* ADD VOLTAGE & CONNECTOR SUFFIX WHILE ORDERING

SPECIAL NOTE ON POPPET TYPE VALVES

- 1) These valves are sensitive to exhaust back pressure.
- 2) The exhaust should not be throttled by fitting any flow control device.
- 3) A silencer can be fitted on the exhaust port. However the silencer should be cleaned periodically as it can get choked with oil, water and pipeline debris.



Poppet Type Solenoid Valves Series NP

Series "NP" 5/2 Solenoid-Solenoid Poppet Valves



Mechanical Characteristic

Body	: Aluminium
Orifice	: Refer to technical data
Ports	: Refer to technical data
Seals	: Nitrile Rubber
Design	: Poppet type, internal pilot operated
Weight	: Refer to technical data

Operating Conditions

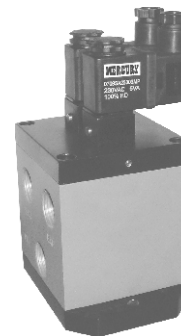
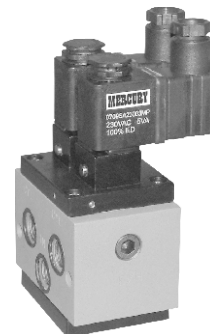
Media	: Air (filtered 40μ & lubricated)
Temperature Range	: +5° to +50°C
Pressure Range	: 2.5 to 10 bar
Leakage	: Bubble Tight
Flow (NLPM) at 5 bar	: Refer to technical data

Electrical Conditions

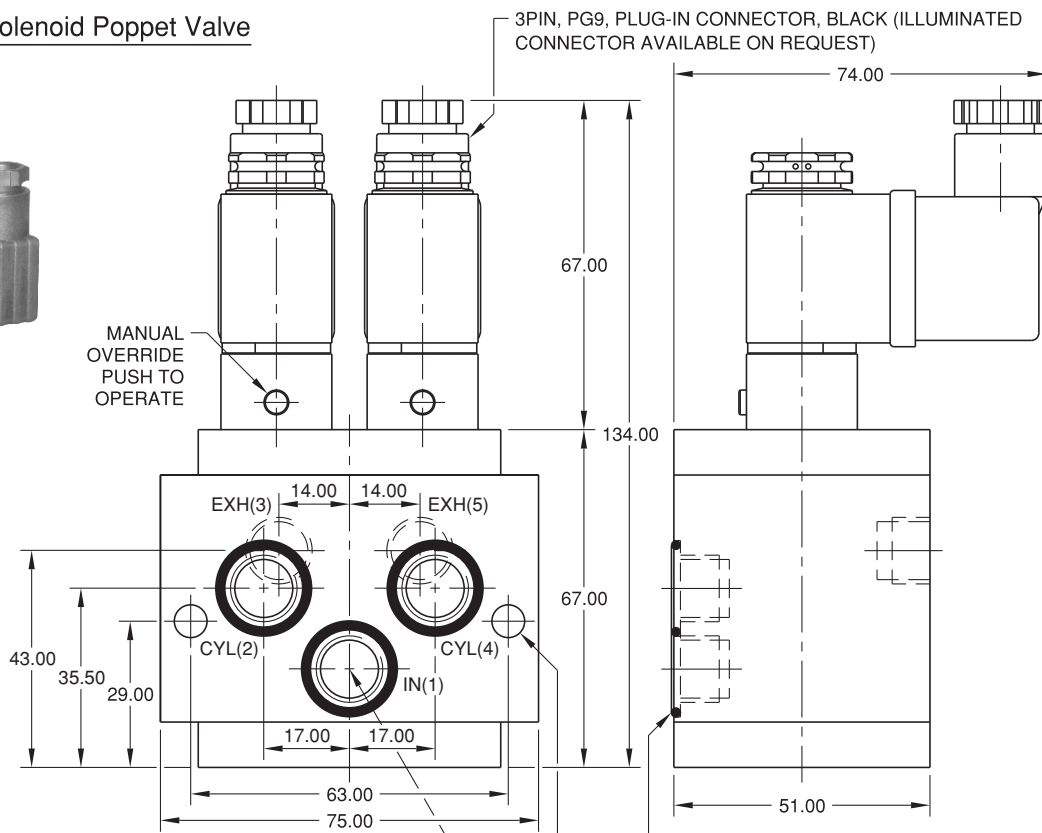
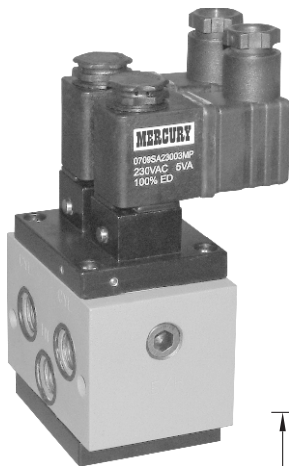
Coil Voltage	: 12 & 24 VDC; 24, 48, 110 & 230 VAC / 50 Hz ±10%
Power	: DC - 3 W; AC - 5 VA Hold, 7.5 VA Pickup
Duty Cycle	: Continuous
Response Time	: 10 msec ON / 15 msec OFF
Protection	: IP 65 (as per DIN 40 050)
Connector	: Black (illuminated on request)

* While ordering specify Coil voltage & type of connector. Add voltage & connector suffix as below to model no.

Connector	230VAC	24VAC	12VAC	24VDC	12VDC	110VAC	48VAC
BLACK	A	B	C	D	E	F	G
ILLUMINATED	L	M	N	P	Q	R	S



1/4" BSP 5/2 Solenoid-Solenoid Poppet Valve

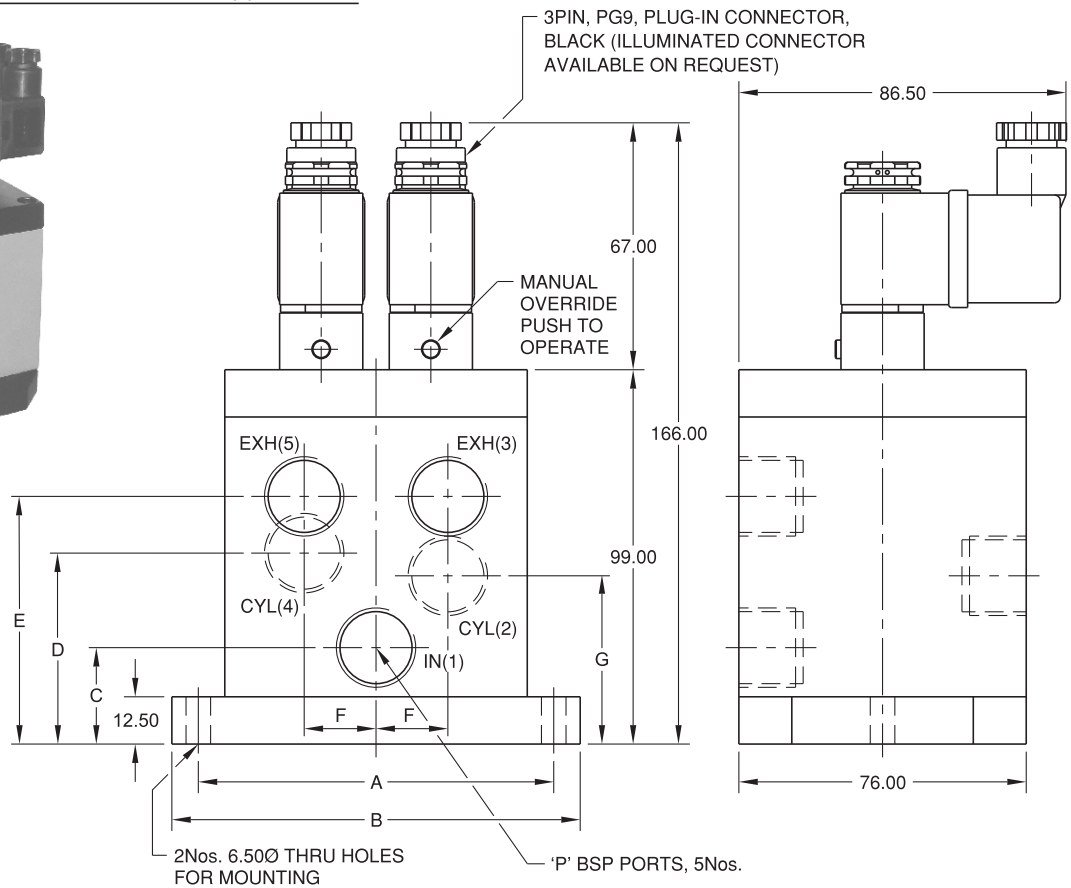
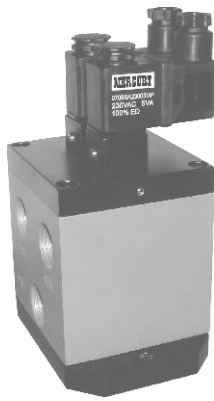


MODEL No.	ORIFICE (mm)	SYMBOL	Flow at 5 bar NLPM	WEIGHT (Kg.)	SEAL KIT No.
NP622*	Ø7.00		1300	0.81	SKNP622

* ADD VOLTAGE & CONNECTOR SUFFIX WHILE ORDERING

'O' RING PART No. 12-016 3Nos.
2Nos. 6.50Ø THRU HOLES FOR MOUNTING
G1/4" BSP PORTS, 5Nos.

1/2" & 3/4" BSP 5/2 Solenoid-Solenoid Poppet Valve



MODEL No.	SIZE 'P' (BSP)	SYMBOL	ORIFICE (mm)	A	B	C	D	E	F	G	Flow at 5 bar NLPM	WEIGHT (Kg.)	SEAL KIT No.
NP624 *	1/2"		Ø13.00	94.00	108.00	25.50	50.50	65.50	19.00	44.50	3600	1.66	SKNP624
NP625 *	3/4"		Ø20.00	116.00	130.00	28.50	50.50	69.00	25.00	53.50	8000	1.95	SKNP625

* ADD VOLTAGE & CONNECTOR SUFFIX WHILE ORDERING

SPECIAL NOTE ON POPPET TYPE VALVES

- 1) These valves are sensitive to exhaust back pressure.
- 2) The exhaust should not be throttled by fitting any flow control device.
- 3) A silencer can be fitted on the exhaust port. However the silencer should be cleaned periodically as it can get choked with oil, water and pipeline debris.