

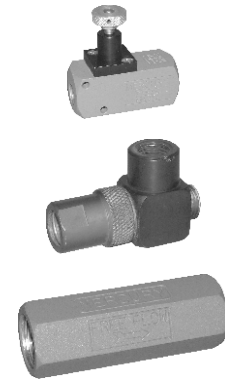


### Mechanical Characteristic

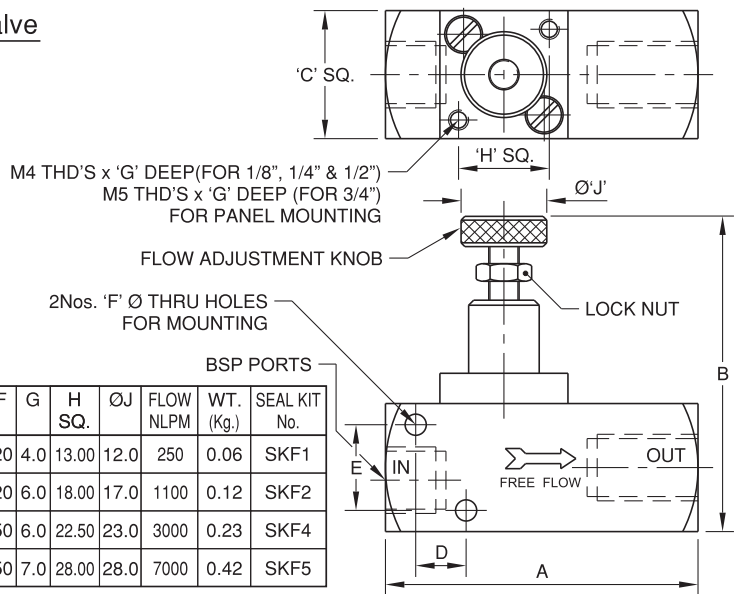
Body	: Aluminium
Orifice	: Refer to technical data
Ports	: BSP Female
Seals	: Nitrile Rubber
Weight	: Refer to technical data

### Operating Conditions

Media	: Compressed Air
Temperature Range	: +5° to +50°C
Pressure Range	: 0 to 10 bar
Leakage	: Bubble Tight
Flow (NLPM) at 5 bar	: Refer to technical data

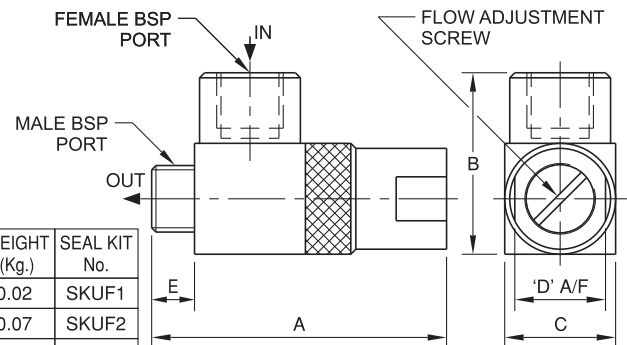


### 1/8", 1/4", 1/2" & 3/4" BSP Straight Flow Control Valve



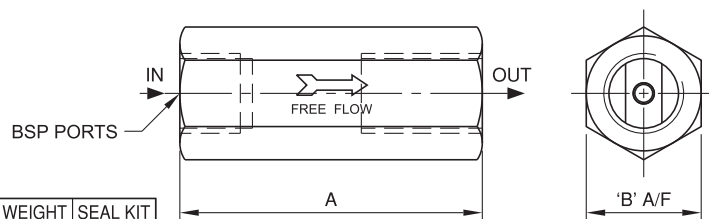
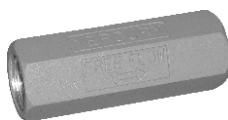
MODEL No.	SIZE BSP	ORIFICE (mm)	SYMBOL	A	B	C SQ.	D	E	ØF	G	H SQ.	ØJ	FLOW NLPM	WT. (Kg.)	SEAL KIT No.
F1	1/8"	Ø3.50		48.00	51.00	19.05	7.00	12.00	4.20	4.0	13.00	12.0	250	0.06	SKF1
F2	1/4"	Ø6.50		62.00	68.00	25.40	10.00	17.00	4.20	6.0	18.00	17.0	1100	0.12	SKF2
F4	1/2"	Ø12.50		85.00	85.00	31.75	10.00	23.50	5.50	6.0	22.50	23.0	3000	0.23	SKF4
F5	3/4"	Ø19.00		105.00	106.00	38.10	15.00	30.00	5.50	7.0	28.00	28.0	7000	0.42	SKF5

### 1/8", 1/4", 1/2" BSP Swivel Elbow Flow Control Valve



MODEL No.	SIZE BSP	ORIFICE (mm)	SYMBOL	A	B	C SQ.	D	E	FLOW NLPM	WEIGHT (Kg.)	SEAL KIT No.
UF1	1/8"	Ø3.50		39.50	26.00	16.00	12.00	6.50	250	0.02	SKUF1
UF2	1/4"	Ø6.50		58.50	36.00	22.00	18.00	8.00	1100	0.07	SKUF2
UF4	1/2"	Ø12.50		84.00	53.00	31.75	29.00	12.00	3000	0.21	SKUF4

### 1/4", 1/2" & 3/4" BSP Non-return Valve



MODEL No.	SIZE BSP	ORIFICE (mm)	SYMBOL	A	B A/F	FLOW NLPM	WEIGHT (Kg.)	SEAL KIT No.
NR2	1/4"	Ø6.50		50.00	19.00	1100	0.03	SKNR2
NR4	1/2"	Ø12.50		75.00	25.40	3000	0.07	SKNR4
NR5	3/4"	Ø19.50		83.00	35.00	7000	0.14	SKNR5